

Sutinee Potisuwan

From: Chakrit Fuangprang
Sent: Friday, January 19, 2018 8:49 AM
To: Sutinee Potisuwan
Subject: Fwd: Shinshu University Exchange Student Program Application Guide (for 2018 Autumn Inbound Students)

Mr. Chakrit Fuangprang
Director, Division of International Development
Naresuan University
Phitsanulok 65000
THAILAND
Tel & Fax: 66 55 962 380

Monolingualism is the illiteracy of the 21st century.
Gregg Roberts

Begin forwarded message:

From: 小池知香 <koike_chika@gm.shinshu-u.ac.jp>
Subject: Shinshu University Exchange Student Program Application Guide (for 2018 Autumn Inbound Students)
Date: 17 January 2018 at 14:47:38 GMT+7
To: undisclosed-recipients;

<SEE BELOW FOR JAPANESE VERSION>

Dear Exchange student program coordinators of our partner universities,

Greetings from Shinshu University, Japan.

This is to notify that Shinshu University Application Guide for 2018 Autumn Inbound Students has been released on our website:

<http://www.shinshu-u.ac.jp/institution/gec/cheer/english/news/2018/01/exchange-student-program-application-guide-for-autumn-2018.php>

Because of our exchange program's limited capacity (maximum 20 students per semester), after considering the balance between inbound and outbound exchange students to/from your university, we can accept only ONE inbound exchange student (a half year or one year) from your university for 2018 Autumn Semester. If your university has any applicant to this program, please send us the required documents (the forms are posted on our website) during the application period, from April 1, 2018 to April 30, 2018.

Change note about Housing

Because the number of rooms available at the international houses and university apartments is limited, we are unable to guarantee that all students are able to be assigned to their preferred accommodation. However, we can introduce other private apartment to your student. (Initial costs might occur.)

งานทุนระหว่างประเทศ
กองพัฒนากิจการต่างประเทศ
รับที่ 207
วันที่ 19 พ.ค. 61 เวลา 18:35

กองพัฒนากิจการต่างประเทศ
มหาวิทยาลัยนเรศวร
รับที่ 0166
วันที่ 19 พ.ค. 61 เวลา 10:15
องค์ประกอบที่..... คีย์ที่.....

มหาวิทยาลัยนเรศวร
รับที่ 00604
วันที่ 22 พ.ค. 2561
เวลา 16:15 น.

เรียน อธิการบดี

ตามที่มหาวิทยาลัยได้มีบันทึกข้อตกลงความร่วมมือทางวิชาการร่วมกับ Shinshu University ประเทศญี่ปุ่น และได้ดำเนินกิจกรรมด้านการแลกเปลี่ยนนิสิตร่วมกันอย่างต่อเนื่อง ตั้งแต่ปี 2557 ความทราบแล้ว นั้น

โดยในปี 2561 Shinshu University เปิดรับสมัครนิสิตจากมหาวิทยาลัยนเรศวร จำนวน 1 ราย ภายใต้โครงการแลกเปลี่ยนนิสิต ณ Shinshu University Global Education Center, Shinshu University, Autumn semester ประเทศญี่ปุ่น ระยะเวลา 1 ภาคการศึกษา ระหว่างวันที่ 18 กันยายน 2561 - 6 กุมภาพันธ์ 2562 เพื่อศึกษาภาษาญี่ปุ่น แบบลงทะเบียนเรียน รายละเอียดดังเอกสารแนบท้าย โดยนิสิตผู้ได้รับการคัดเลือกนิสิตจะได้รับการยกเว้นค่าธรรมเนียมการศึกษา จาก Shinshu university ตามเงื่อนไข MoU

ทั้งนี้ นิสิตผู้ประสงค์เข้าร่วมโครงการ นิสิตต้องเป็นผู้รับผิดชอบค่าใช้จ่ายอื่นๆ ทั้งหมด โดยต้องเป็นผู้ที่มีผลการเรียนเฉลี่ย 3.00 ขึ้นไป และมีผลคะแนนภาษาอังกฤษ CEPT ไม่ต่ำกว่าระดับ B1 ขอได้โปรดส่งเอกสารประกอบการสมัคร ได้แก่ 1) แบบฟอร์มการสมัครของ Shinshu ดังเอกสารแนบท้าย 2) ใบแสดงผลการเรียน (Transcript) 3) หนังสือรับรองการเป็นนิสิต (ภาษาอังกฤษ)

จึงเรียนมาเพื่อโปรดพิจารณา เห็นควรแจ้งประชาสัมพันธ์ คณะ/วิทยาลัย และประชาสัมพันธ์ผ่าน Website และเฟสบุ๊ค NU Scholarship และหากมีนิสิตประสงค์เข้าร่วมโครงการ ขอได้โปรดเสนอชื่อมายังกองพัฒนากิจการต่างประเทศ ภายในวันที่ 12 เมษายน 2561 เพื่อเสนอชื่อไปยัง Shinshu University ต่อไป

๑๐๗
22 พ.ค. 61

22 พ.ค. 61


22 พ.ค. 61

รองศาสตราจารย์ ดร.สุชกิจ ยะโสธรศรีกุล
คณบดีคณะมนุษยศาสตร์
& ศึกษาศาสตร์


23 พ.ค. 61

รองศาสตราจารย์ ดร.สุชกิจ ยะโสธรศรีกุล
รักษาการในตำแหน่งรองอธิการบดี ปฏิบัติราชการแทน
อธิการบดีมหาวิทยาลัยนเรศวร

REQUIRED DOCUMENTS:

- * Application Package (Cover, Form 1 - Form 4)
- * Academic Transcript
- * 4 photos
- * Copy of Passport
- * Certificate of Bank Deposit Balance
- * Copy of Evidence of Language Proficiency

The poster for incoming exchange student can be downloaded from the following link:

http://www.shinshu-u.ac.jp/institution/gec/upload/pdf/edu/shinshuexchange_poster.pdf

The program outline and the voices of the participants can be found from:

<http://www.shinshu-u.ac.jp/institution/gec/cheer/english/inbound/short-term-program/exchange-student.php>

If you need more information or help, please feel free to contact me.

Thank you for your cooperation in advance.

Sincerely,
Chika

Chika Koike(Ms.)
Exchange Program Coordinator (Inbound)
Shinshu University Global Education Center
3-1-1 Asahi, Matsumoto, Nagano 390-8621, Japan
TEL:(+81)263 37 3360 FAX:(+81)263 37 2181
EMAIL:koike_chika@gm.shinshu-u.ac.jp
<http://www.shinshu-u.ac.jp/institution/gec/cheer/english/>

+++++

信州大学の大学間交流協定校
交換留学プログラム担当者 様

いつもお世話になっております。信州大学グローバル教育推進センターの小池です。

信州大学交換留学プログラム(2018年秋期受入)を下記URLに掲載しましたので お知らせいたします。

<http://www.shinshu-u.ac.jp/institution/gec/cheer/news/2018/01/2018-13.php>

信州大学交換留学プログラムのキャパシティ（毎学期20名）及びこれまでの学生受入と派遣実績のバランス等を参考に、2018年秋期は貴大学から1名のみ（半年または1年）を受入れることができます。貴大学で信州大学交換留学プログラムへの参加希望者がいる場合は、上記サイトから書類をダウンロードし、2018年4月1日～4月30日の間に下記申請書類を信州大学グローバル教育推進センターに送付してください。

宿舎に関する変更点

国際交流会館と大学の管理するアパートの部屋数に限りがあるため、すべての学生が希望する宿舎に入居できる保証はありません。

大学から民間アパートを紹介し（初期費用がかかる可能性があります。）入居していただく場合もあります。

提出書類：

- ・ 交換留学生申請パッケージ（表紙、Form 1 ～ Form 4）
- ・ 成績証明書
- ・ 写真4枚
- ・ パスポートのコピー
- ・ 銀行預金残高証明書
- ・ 言語能力証明書のコピー

また、ポスター（英語版）を作成しましたので、学生への周知等に自由にご使用ください。

http://www.shinshu-u.ac.jp/institution/gec/upload/pdf/edu/shinshuexchange_poster.pdf

本プログラムの概要や参加者の声については以下のURLをご覧ください。

<http://www.shinshu-u.ac.jp/institution/gec/cheer/inbound/short-term-program/exchange-student.php>

質問等ありましたら、お気軽にお問い合わせください。よろしくお願いいたします。

小池 知香

信州大学グローバル教育推進センター

〒390-8621 長野県松本市旭3-1-1

Tel: [\(+81\)263 37 3360](tel:+81263373360)（内線 811-7314）

Fax: [\(+81\)263 37 2181](tel:+81263372181)

Email: koike_chika@gm.shinshu-u.ac.jp

<http://www.shinshu-u.ac.jp/institution/gec/cheer/>

INFORMATION SHEET

for Shinshu University Student Exchange Application in Academic Year 2018 -2019

1. General Information:

| | | |
|---|--|---|
| Name of University: | SHINSHU UNIVERSITY | |
| Website of University: | http://www.shinshu-u.ac.jp/ | |
| Website for exchange student program: | http://www.shinshu-u.ac.jp/institution/gec/cheer/english/inbound/short-term-program/exchange-student.php | |
| Contact persons for incoming exchange students: | Chika Koike (Ms.) Exchange program coordinator, Shinshu University Division of International Exchange 3-1-1 Asahi, Matsumoto, Nagano, 390-8621, Japan E-mail Address: koike_chika@gm.shinshu-u.ac.jp Telephone Number: +81-263-37-3360 Fax Number: +81-263-37-2181 | Tomonori Sato(Mr.) Professor, Shinshu University Global Education Center(GEC) 3-1-1 Asahi, Matsumoto, Nagano, 390-8621, Japan E-mail Address: stomo@shinshu-u.ac.jp Telephone Number: +81-263-37-3227 Fax Number: +81-263-37-3227 |

2. Academic Calendar:

| Dates | Semester 1 (Spring 2018) | Semester 2 (Autumn 2018) |
|---|-------------------------------------|---------------------------------------|
| Designated or recommended date of arrival: | March 30, 2018 | September 18, 2018 |
| Date students can move into accommodation: | March 30, 2018 | September 18, 2018 |
| Orientation and procedures dates: | April 2, 2018 ~ April 6, 2018 | September 19, 2018~September 26, 2018 |
| Classes start ~ end: | April 9, 2018 ~ July 27, 2018 | September 27, 2018 ~ January 28, 2019 |
| Registration deadline: | April 19, 2018 | October 10, 2018 |
| Exam and End-of-program presentation period: | July 30, 2018 ~ August 6, 2018 | January 29, 2019 ~February 5, 2019 |
| Vacation (Summer / Spring): | August 7, 2018 ~ September 17, 2018 | February 6, 2019 ~ March 31, 2019 |
| Transcript offered: | End of September, 2018 | End of March, 2019 |
| *will be issued upon completion of the program. | | |

3. Academic and Enrollment Information:

| | |
|--|---|
| Length of the exchange period: | One or two semesters |
| Qualifications for incoming exchange students: | Enrolled student year: No requirements, but must be enrolled as a degree-seeking student at their home university for the entire exchange study period at Shinshu University. |
| | Language Proficiency: For Japanese Learning: None; For Major Subjects: Fluent enough to understand classes in Japanese |
| | Extra Qualifications: Be in a good physical and mental condition, and have no health problems that may interfere with participating in the program. To prove they are able to maintain themselves financially for the duration of their exchange in Japan. Must respond to various surveys from Shinshu University. |
| Language for exchange students: | Japanese |
| Certificate requirement: | Take at least 10 credits per year (5 credits a semester), be present at the end-of-program presentation. |
| Visa requirements: | To apply for a student visa, students will be required to submit a Letter of Acceptance and a Certificate of Eligibility (COE) (which will be sent to you) to the appropriate Japanese Embassy or Consulate for your area. |

4. Application Procedure:

| Dates | For Semester 1 (Spring 2018) | For Semester 2 (Autumn 2018) |
|---|--|--------------------------------|
| Application Period: | October 1, 2017 ~ October 30, 2017 | April 1, 2018 ~ April 30, 2018 |
| Required documents for application: | <ul style="list-style-type: none"> ■ Cover Page of Application Package (to be completed by the home university contact person) ■ Application Document Checklist <Form 1> ■ Application Form <Form 2> ■ Insurance Application Form <Form 3> ■ Medical Certificate <Form 4> ■ Original Academic Transcript (in English or Japanese) ■ 4 photos (40mmx30mm) ■ Copy of Passport ■ Certificate of Bank Deposit Balance Minimum amount (Equivalent to JPY500,000 for one-semester exchange; JPY1,000,000 for one-year exchange) ■ If available, Copy of Evidence of Language Proficiency | |
| Notify each partner university of results | Late December, 2017 | Late June, 2018 |

5. Accommodation:

| | | |
|--|---|---|
| Housing Application Deadline: | To be announced in the "Application of Housing" form, which will be sent to you later. | |
| Housing available to exchange students: | <ul style="list-style-type: none"> • International house (Off Campus, Rent fee: JPY4,700/month, Other fee: JPY58,000/year) • University apartment (Off Campus, Rent fee: JPY32,000/month, Other fee: JPY30,000/year) • Private apartment(Off Campus, Rent fee: JPY20,000/month ~, Other fee: JPY30,000~/year and initial costs might occur.) | |
| Approximate expenses: <small>*The information is an estimation of the monthly expenditure of a reasonably economical international student at Shinshu University. Expenses will vary according to personal taste and lifestyle.</small> | Total: JPY49,400~111,700/month Housing: JPY4,700~40,000/month Books/Supplies: JPY2,000~3,000/month Local Transportation: JPY500~1,500/month Utility Charge(gas, electricity, water): JPY10,000-15,000/month | Meals: JPY25,000~35,000/month Personal/Miscellaneous: JPY5,000~15,000/month Insurance: JPY2,200/month |

6. Pick-up :

| | |
|------------------|---|
| Pick-up Service: | No, but an Access Guidebook will be sent to students before coming. |
|------------------|---|

7. Insurance:

| | |
|-------------------|---|
| Approximate cost: | We require all exchange students to purchase health and life mutual insurance for student with personal liability insurance & fire mutual insurance in Japan. Health insurance: JPY1,500/month; Life mutual insurance: JPY670/month |
|-------------------|---|

8. Scholarship:

| | |
|---------------|---|
| How to apply: | To be announced in the Application Guidelines for exchange student program. |
| Amount: | JPY80,000/month |

Application Guidelines for Shinshu University Exchange Student Program (Autumn Semester 2018 --- Spring Semester 2019)

1. Eligibility

Applicants must meet the following requirements.

- (1) You must be enrolled as a degree-seeking undergraduate or postgraduate student at one of our partner universities¹ that signed a Student Exchange Agreement with Shinshu University for your entire study period here. (You will be registered as a special auditing student; therefore, students whose main purpose is to conduct research are not eligible for this program.)
- (2) You must complete one or two semesters in Shinshu University starting from October 2018. Students who wish to study less than a semester (e.g. for a few weeks or for three months) are not eligible to apply.² Please refer to the academic calendar in the following website:
http://www.shinshu-u.ac.jp/institution/gec/upload/docs/pdf/2018GECcalendar_e.pdf
- (3) You must be in a good physical and mental condition and have no health problems that may interfere with your participation in the program.
- (4) We require all self-financed students to provide us with documentations that prove that they are able to maintain themselves financially for the duration of their exchange in Shinshu University. Before the admission, self-financed students must send a bank statement (their own, or that of a close family member) to us showing that they possess funding as follows:
For a one-semester exchange: the equivalent of 500,000 JPY.
For a one-year exchange: the equivalent of 1,000,000 JPY.
- (5) You must participate in various surveys from Shinshu University during you study in Japan and after you returned to your home country.

The Shinshu University Exchange Student Program is competitive. Please be advised that meeting the above requirements does not guarantee admission into the program.

2. Selection

The selection procedure is as follows.

- (1) Contact the department in charge of exchange programs at your home university and ask for details and the deadline for submitting the required documents within your university. Next, submit the following No.2~No.10 items together with the other required documents of your home university (if any) to the exchange program coordinator by the designated date. The exchange student coordinator of your home university needs to send the following items to Shinshu University Global Education Center (from now referred to as "GEC") during the application period, **From April 1, 2018 to April 30, 2018.**

*Please note that applications submitted directly by individual applicants will not be accepted.

| No. | Items | Notes |
|-----|---|--|
| 1 | Cover Page of Application Package | To be completed by the contact person of your home Univ. |
| 2 | Application Document Checklist <Form 1> | To be completed by the applicant. |
| 3 | Application Form <Form 2> | To be completed by the applicant. |
| 4 | Insurance Application Form <Form 3> | To be signed by the applicant |

¹ The status of "exchange student" becomes null and void when a student graduates from their home university. Exchange students who wish to pursue their postgraduate study at Shinshu University following this exchange program can prepare for it as a research student and be exempt from tuition fees for up to one year. Please contact us for further details.

² If you wish to study as an exchange student but not under this exchange program, please contact GEC as soon as possible.

| | | |
|----|--|---|
| 5 | Certificate of Health <Form 4> | In English or Japanese. |
| 6 | Academic Transcript | Issued by your home Univ.: In English or Japanese. |
| 7 | 4 photos | Size: 40mmx30mm |
| 8 | Copy of Passport | Photo page. If you have been to Japan, please send stamp page, too. |
| 9 | Certificate of Bank Deposit Balance | In English or Japanese. |
| 10 | Copy of evidence of language proficiency | If available |

- (2) GEC will process the received documents and then notify each partner university the results by the end of June 2018. And then begin preparing for the students' arrival (visa documents, accommodation arrangements, etc.).

3. Tuition Fees

Exchange students under this program are exempt from Shinshu University tuition fees, but are required to pay tuition fees at their home universities.

4. Where to Send Application Documents and Inquiries:

Students under this exchange program will be affiliated with GEC, and GEC professors will be their advisers. All application documents and inquiries should be addressed to:

| | |
|--|--|
| Shinshu University Global Education Center Tomonori Sato (Professor) Address: 3-1-1 Asahi, Matsumoto City, 390-8621, Nagano, Japan Email: stomo@shinshu-u.ac.jp Tel/Fax: +81-263-37-3227 | Division of International Exchange Chika Koike (Staff) Address: 3-1-1 Asahi, Matsumoto City, 390-8621, Nagano, Japan Email: koike_chika@gm.shinshu-u.ac.jp Tel : +81-263-37-3360 Fax : +81-263-37-2181 |
|--|--|

5. Available Classes

Exchange students can take courses from the following list. It is possible that students cannot take some classes if their Japanese language skill is not sufficient or if the class capacity has already been reached. Except for language subjects, most subjects are taught in Japanese. Please be aware that only a few courses are offered in English. All syllabi can be found at the following website. (Japanese only)

<http://campus-2.shinshu-u.ac.jp/syllabus/syllabus.dll/top>

(1) Japanese-related subjects

① Intensive Japanese Language subjects offered by GEC (one "koma" is a class of 90 minutes)

A class: For students who do not know any Japanese or Japanese characters: 9 koma per week

B class: For students who have studied some basic Japanese: 9 koma per week

C class: For students who can communicate in Japanese but whose level is insufficient: 9 koma per week

For your reference, the following is a list of classes offered in the 2017 (current) academic year.

| A Class | | | | |
|--------------------------------------|--------------------------|---------|--------------------------------------|---|
| Spring Semester (Apr. - Sep.) | | | Fall Semester (Oct. - Mar.) | |
| Course Title | Class Hours | Credits | Course Title | |
| Japanese; Grammar (A) | (3 koma/week) x 15 weeks | 3 | Japanese; Grammar (A) | Class hours and credits are the same as the spring semester |
| Japanese; Conversation (A) | (3 koma/week) x 15 weeks | 3 | Japanese; Conversation (A) | |
| Japanese; Reading/Writing (A) | (1 koma/week) x 15 weeks | 1 | Japanese; Reading/Writing (A) | |
| Japanese; Practical Conversation (A) | (1 koma/week) x 15 weeks | 1 | Japanese; Practical Conversation (A) | |
| Japanese; Writing System (A) | (1 koma/week) x 15 weeks | 1 | Japanese; Writing System (A) | |
| Total Credits | | 9 | | |

| B Class | | | | |
|--------------------------------|--------------------------|---------|--------------------------------|---|
| Spring Semester (Apr. - Sep.) | | | Fall Semester (Oct. - Mar.) | |
| Course Title | Class Hours | Credits | Course Title | |
| Japanese; Grammar (B) | (3 koma/week) x 15 weeks | 3 | Japanese; Grammar (B) | Class hours and credits are the same as the spring semester |
| Japanese; Conversation (B) | (3 koma/week) x 15 weeks | 3 | Japanese; Conversation (B) | |
| Japanese; Kanji (B) | (1 koma/week) x 15 weeks | 1 | Japanese; Kanji (B) | |
| Japanese; Reading/Writing (B) | (1 koma/week) x 15 weeks | 1 | Japanese; Reading/Writing (B) | |
| Japanese; Practical Lesson (B) | (1 koma/week) x 15 weeks | 1 | Japanese; Practical Lesson (B) | |
| Total Credits | | 9 | | |

| C Class | | | | |
|--------------------------------|--------------------------|---------|--------------------------------|---|
| Spring Semester (Apr. - Sep.) | | | Fall Semester (Oct. - Mar.) | |
| Course Title | Class Hours | Credits | Course Title | |
| Japanese; Grammar (C) | (3 koma/week) x 15 weeks | 3 | Japanese; Grammar (C) | Class hours and credits are the same as the spring semester |
| Japanese; Conversation (C) | (3 koma/week) x 15 weeks | 3 | Japanese; Conversation (C) | |
| Japanese; Practical Lesson (C) | (2 koma/week) x 15 weeks | 2 | Japanese; Practical Lesson (C) | |
| Japanese; Kanji(C) | (1 koma/week) x 15 weeks | 1 | Japanese; Kanji (C) | |
| Total Credits | | 9 | | |

② Japanese language and Japan study subjects offered by the School of General Education

For upper-intermediate students who want to acquire higher language skills and who want to experience and understand Japanese culture, the Japanese language and Japanese culture classes which are offered by the School of General Education (the organization which manages the general education curriculum for first-year students) are also regarded as a part of Japanese-related subjects in this exchange program.

| Japanese language and Japanese culture Class | | | | |
|---|--------------------------|---------|--|---|
| Spring Semester (Apr. - Sep.) | | | Fall Semester (Oct. - Mar.) | |
| Course Title | Class Hours | Credits | Course Title | Class hours Credits |
| Reading(Japanese Language) A- I | (1 koma/week) x 15 weeks | 1 | Reading(Japanese Language) A- II | Class hours and credits are the same as the spring semester |
| Reading(Japanese Language) B- I | (1 koma/week) x 15 weeks | 1 | Reading(Japanese Language) B- II | |
| Writing(Japanese Language) A- I | (1 koma/week) x 15 weeks | 1 | Writing(Japanese Language) A- II | |
| Writing (Japanese Language) B- I | (1 koma/week) x 15 weeks | 1 | Writing (Japanese Language) B- II | |
| Listening(Japanese Language) A- I | (1 koma/week) x 15 weeks | 1 | Listening(Japanese Language) A- II | |
| Listening (Japanese Language) B- I | (1 koma/week) x 15 weeks | 1 | Listening (Japanese Language) B- II | |
| Conversation (Japanese Language) A- I | (1 koma/week) x 15 weeks | 1 | Conversation (Japanese Language) A- II | |
| Conversation (Japanese Language) B- I | (1 koma/week) x 15 weeks | 1 | Conversation (Japanese Language) B- II | |
| Scientific and Technical Japanese I | (1 koma/week) x 15 weeks | 1 | Scientific and Technical Japanese II | |
| Business Japanese I | (1 koma/week) x 15 weeks | 1 | Business Japanese II | |
| Japanese; Upper Intermediate (Grammar) I | (1 koma/week) x 15 weeks | 1 | Japanese; Upper Intermediate (Grammar) II | |
| Japanese Society and People I | (1 koma/week) x 15 weeks | 2 | Japanese Society and People II | |
| Japanese Martial Arts and Traditional Culture I | (1 koma/week) x 15 weeks | 1 | Japanese Martial Arts and Traditional Culture II | |
| Total Credits | | 14 | Credit total | 14 |

* The courses may be subject to change.

(2) General Studies, Basic Science, Health Science, Freshman Seminar and Teaching Profession subjects which are offered by the School of General Education.

(3) Major Subjects (Including Introductory Major Subjects)

Notes: Exchange students who wish to study Japanese language intensively are able to take Japanese language classes at GEC. Those who wish to study major subjects are able to choose classes taught in Japanese for degree-seeking students of Shinshu University, which are offered by other faculties or divisions, and earn credits.

Please take note that all courses related to Japan and Japanese language are offered in Matsumoto Campus. And Faculty of Education (Nagano City), Faculty of Engineering (Nagano City), Faculty of Agriculture (Minami-Minowa Village), and Faculty of Textile Science and Technology (Ueda City) are located separately from Matsumoto campus. Because of this, you cannot register major subjects in those four faculties and courses related to Japan and Japanese language during the same semester. If you want to study at those four faculties as an exchange student, please contact us as soon as possible. Some exchange students who enroll for two semesters at Shinshu University study at Matsumoto campus during their first semester (six months), and then study at the Faculty of Education, Faculty of Engineering, Faculty of Agriculture, or Faculty of Textile Science and Technology during their second semester. In that case, students that receive approval to do so must move out of Matsumoto City after their first semester.

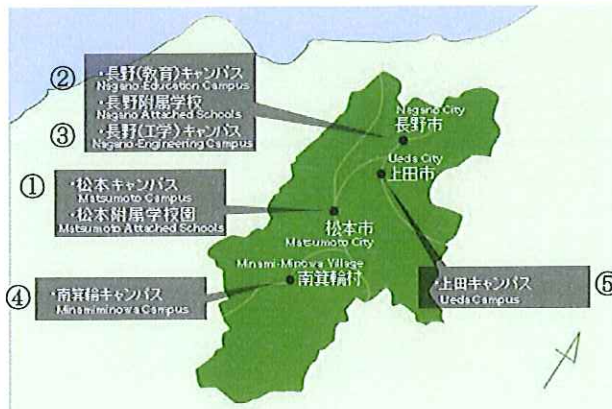
If you Japanese Language are fluent enough and want to mainly take major subjects offered by Faculties, or if you are a postgraduate student and want to receive special tutorials from the professor in your major field, please contact us as soon as possible. We will inquiry to the Faculty or Graduate School of your choice. If they accept you, you will study at the Faculty or Graduate School as an exchange student but not under this exchange program.

| | |
|---|---|
| <p>① Matsumoto Campus (GEC/School of General Education /Faculty of Arts /Faculty of Economics /Faculty of Science)</p> <ul style="list-style-type: none"> ●Subjects related to Japan and Japanese language offered by GEC or the School of General Education ●General Studies, Basic Science, Health Science, Freshman Seminars and Teaching Profession subjects which are offered by the School of General Education. ●Major subjects for first-year students which are offered by each faculty, and major subjects for undergraduate students or graduate students which are offered by the Faculty of Arts, Faculty of Economics and Faculty of Science. | <p>② Nagano - Education Campus (Faculty of Education) *Exchange students will not be allowed to attend classes for second-year or above undergraduate students because of the curriculum.</p> <ul style="list-style-type: none"> ●Major subjects for graduate students which are offered by the Faculty of Education. |
| | <p>③ Nagano - Engineering Campus (Faculty of Engineering)</p> <ul style="list-style-type: none"> ●Major subjects for second-year or above undergraduate students or graduate students which are offered by the Faculty of Engineering |
| | <p>④ Minami-Minowa Campus (Faculty of Agriculture)</p> <ul style="list-style-type: none"> ●Major subjects for second-year or above undergraduate students or graduate students which are offered by the Faculty of Agriculture. |
| | <p>⑤ Ueda Campus (Faculty of Textile Science and Technology)</p> <ul style="list-style-type: none"> ●Major subjects for second-year or above undergraduate students or graduate students which are offered by the Faculty of Textile Science and Technology. |

For more details, please refer to the following websites.

Undergraduate: <http://www.shinshu-u.ac.jp/english/education/undergraduate.html>

Graduate: <http://www.shinshu-u.ac.jp/english/education/graduate.html>



6. Registration and Academic Results

Exchange students must fill in a registration form at the beginning of the semester and submit it to GEC after getting their advisors' approval. Students who study in campus other than Matsumoto can submit the form to the Student Affairs section of the respective campus.

An official academic transcript will be issued upon completion of the program. The transcript will include course titles, grades, and the number of credits earned. Please see the sample on the last page. You are strongly advised to consult with the coordinator in charge of exchange programs at your home university regarding credit transfer before applying to this program.

Please note that an official academic transcript for the 2018 Autumn Semester will be issued at the end of March 2019, and for the 2019 Spring Semester at the end of September 2019.

7. Certificate Requirements

To complete the program, students must complete at least 10 credits per year (5 credits per semester), and present a report in Japanese during the end-of-program presentation.

8. Accommodation

We provide several types of accommodations to exchange students including the International House and apartments. Because the number of rooms available at the International House is limited, there is no guarantee that all students can be assigned to their preferred accommodation.

9. About JASSO Scholarship (Student Exchange Support Program)

The Ministry of Education, Japan (MEXT), in collaboration with the Japan Student Services Organization (JASSO), offers scholarships under the "Student Exchange Support Program" for short-term study in Japan. The scholarship program is intended to encourage student exchange between universities in Japan and their overseas partner institutions, promote understanding and friendship between the countries participating, and strengthen the internationalization and competitiveness of Japanese universities.

Students wishing to apply for a JASSO scholarship must confirm the eligibility before checking "Yes" on question 9 of the application form ("Are you intending to apply for a JASSO scholarship?"). You can find the details of eligibility, scholarship provisions from the application package for Shinshu University Exchange Student.

If Shinshu University Exchange Student Program is selected by JASSO as the "Student Exchange Support Program" for that fiscal year, Shinshu University will nominate candidates from the applicants who check "Yes" on question 9 of the application form, and inform the selected students of their nomination through their home universities. Please be advised that meeting all requirements of JASSO Scholarship does not guarantee nomination.

10. Information on our Exchange Student Program

Please check the following website regularly for updates.

<http://www.shinshu-u.ac.jp/institution/gec/cheer/english/inbound/short-term-program/exchange-student.php>



WHERE IS SHINSHU ?



INVITATION TO SHINSHU, JAPAN



WHY SHINSHU ?

Receive a good education, acquire broader knowledge

© SHINSHU UNIVERSITY is a comprehensive university with eight faculties (Arts, Education, Economics, Science, Medicine, Engineering, Agriculture, Textile Science and Technology), eight graduate schools, many research institutions and educational facilities including libraries and a hospital. Academics here are extensive and diverse. We believe that you will be able to feel the captivation and joy of learning.



No Japanese ability required for attendance

© Our program is designed specifically for our partner university students who are interested in Japanese culture, who desire to live abroad, or who are searching for new challenges.

© If your Japanese language skill is not good enough to understand major subjects, you are able to take intensive Japanese language classes at Global Education Center. We offer five levels ranging from absolute beginner to advanced.



Tutor System supporting your student life in Japan

© Each international student will be matched with a tutor (a regular student at Shinshu University), whose task is to help the assigned international student in adjusting to life in Japan as soon as possible and also to improve and promote their learning.



EXCHANGE STUDENT PROGRAM

Program Outline

Term: One or two semesters (a half year or 1 year)

Program Term Start: Early April (Spring Semester) / Late September (Autumn Semester)

Tuition Fees: Students under this program are exempt from Shinshu University, but are required to pay tuition fees at their home university.

Available Classes: From Intensive Japanese Language subjects to major subjects.

Accommodation: We provide several types of accommodations to exchange students including the International House and apartments leased by Shinshu University.



Estimated Monthly Living Expenses

| | |
|------------------------|--------------|
| Room | JPY 4,700 ~ |
| Utilities | JPY 10,000 ~ |
| Meals | JPY 25,000 ~ |
| Insurance | JPY 2,000 ~ |
| Books/Supplies | JPY 2,000 ~ |
| Personal/Miscellaneous | JPY 5,000 ~ |
| Total | JPY 48,700 ~ |

Affordable living in a safe country

© Japan is well known as being one of the safest, cleanest and most peaceful countries in the world. SHINSHU's beautiful natural surroundings and reputation as an international tourist destination make it an ideal place for learning and living.

© Although Japan is often thought to be one of the most expensive places to live, this is not the case in SHINSHU. Compared to other cities in Japan and other major international cities, our students' expenses are considerably lower. Exchange students can do part time work within legal time limits that are defined by the immigration office.



Extracurricular Activities — Enjoying Your University Life with Close Companions —

© SHINSHU UNIVERSITY has over 100 student clubs and associations, from basketball, baseball, volleyball, soccer, badminton, judo, kyudo, kendo, ski, hiking, photography, dance, manga and anime, music, to Japanese sado (tea ceremony) and even Japanese festivals!

© In the "University Community Contribution Level Rankings" conducted by the Nikkei Research Institute of Industry and Regional Economy against the 751 university across the country for 4 consecutive years from 2012 to 2015, Shinshu University was No.1 overall. SHINSHU UNIVERSITY is loved by local people, INTERNATIONAL STUDENTS are supported by local groups. A variety of exchange meetings, parties, events are organized here. Participating in community activities will immensely enrich your experience in Japan.



How to apply?

Contact the section in charge of exchange programs at your home university and ask for details and the deadline for submitting the required documents within your university.

Voices of the Participants

J.D. (America / Oklahoma State University)

Shinshu University is very fun. It is in a great city, surrounded by beautiful mountains, and is just full of life. Shinshu was a great choice for me. The students and Staff were extremely nice. I really enjoyed walking around campus. Life here at Shinshu University is very different. In my country, America, there are not any Conbini or any of the awesome food. Japan is very different from America. In Japan, there are Cherry Blossoms in Spring, Cicadas in Summer, Beautiful falling leaves in Fall, and of course, snow in Winter. The Cherry Blossoms were my favorite thing here as in Seasonal events. But, as for living in Japan, I love Corbini and Japanese food. I am so glad I came and enjoyed the food here. It is awesome and everyone should enjoy it!

S.H. (Belgium / Katholieke Universiteit Leuven)

The first semester I was in intermediate level, which gave me a solid review of the things I had already studied - but better. Compared to home there were a lot of class hours, and sometimes a little repetitive, but you can learn very much in there.

The second semester I was in upper intermediate level, and the class structure was different; we got to choose more ourselves. This semester I especially found it interesting that we were allowed to choose classes in the regular faculties, with Japanese students. It was great to experience the methods of Japanese professors towards Japanese students, and the way of examination.

S.L. (The Netherlands / Zuyd University)

Since I studied at C-level, I can obviously not say anything about classes on the different levels, but the classes I took were very well suited for someone at my level. Even though the pace is quite fast, there is no difficulty in keeping up with the classes, as enough time is taken to explain everything in enough detail so even the more difficult subjects do not come over as being too difficult. To me, classes also were a fun place to be, and I looked forward to them every day.

S.C. (America / University of Utah)

My stint at Shinshu University was outstanding. Shinshu's location, facilities, and atmosphere were all first rate. I will particularly miss the cafeteria. More importantly the classes were well handled and very informative. The students, tutors, faculty, and staff were all friendly and helpful making the study well worth it.

Matsumoto's location was very good for study without some of the distractions in larger cities but still had plenty to do and see.

Classes were topnotch the small class sizes allowed for a personal feel. Classes were different than what I am used to with mandatory attendance and participation. This was, however, for the best as the class structure and size permitted ample opportunity to practice Japanese. This was perfect for my grammar and speaking classes. Kanji being only taught once a week was not as strong but for the few times we met it was well taught and educational. Multicultural Understanding class allowed me to mingle with both native speakers and students with a much higher level of Japanese providing opportunity to learn new words and cultures.

Z.K. (Russia / Vitus Bering Kamchatka State University)

The way of teaching here is very good. The classes for foreign students here are subdivided into 4 classes. Students attend them according to their abilities in Japanese language. The way of teaching in all classes is very interesting and you can absorb all information like a sponge.

I learnt about studying abroad in Japan are learning an foreign language, learning how to be independent, in control of my life in a responsible manner and at the same time discovering new things about myself. It's also made me more open-minded as well as learning how to truly respect the beliefs, customs and traditions of individuals from different cultures, race and religion.

T.N. (Australia / Curtin University)

I am very lucky to study in the fall semester in Shinshu University. The scenery and the surrounding of the university were very beautiful. The staffs in the International Center and teachers are really friendly. They are always greeting the students with bright smile and were there to help. Shinshu

University is the place where I learnt my Japanese the most as the intensive course allowed me to have the environment and more time to practice my Japanese.

Shinshu University has provided many facilities for their students including exchange students to have group discussion, research, meet up, and so on. The university is very clean and comfortable to be in. The impression of environmental friendly is one of the things that I have remembered because most students and even teachers cycled to university every day.

S.M. (Germany / Leipzig University)

All of the teachers in Shinshu University's international office are very kind. When I had any problems or questions, the teachers helped me as much as possible. Also the campus is not very large so it's easy to understand where things are. There is a lot of greenery which

makes the atmosphere of campus feel nice.

The Japanese class fits very well with my level. I progressed in the various areas of Japanese and got results. Other than just Japanese language, there are other classes to take, such as Japanese Culture. There are many interesting classes, so I could find some that I'm interested in.

By studying abroad, I improved my Japanese and have also gained a deeper understanding of Japanese culture. Other than just broadening my understanding of Japan, I have also been able to hear about many other cultures as well. I have been able to understand a lot after a one year cross cultural experience. Life while studying abroad has been very fun.

B.V. (Belgium / Katholieke Universiteit Leuven)

The classes at Shinshu University were a great help in improving my Japanese. The teachers were always very kind and helpful. Of course my Japanese has improved a great deal. I even took a course in economics in my second semester, which I never thought I would be able

to do. But other than that, I have also made many great friends. The most important thing that I learned from my stay at Shinshu University, is that no matter where they live or what language they speak, people are the same on the inside everywhere. I used to believe different cultures produce different people. Now I know that those differences are not so great as the similarities all people share.

C.F. (America / Oklahoma State University)

The quality of the classes went beyond my expectations. Sometimes I wish my teachers back in my home country had as much passion for teaching as the ones here. The first two weeks or so of classes were grueling in their own way, but ultimately, it's that very difficulty that helps you develop the essential skills of speaking, listening, and learning in a foreign language.

My Japanese ability increased considerably. But besides that, I learned some more general skills of foreign language learning, listening and speaking. On top of that, as we studied Japanese using example conversations in class, I think my English conversation skills may have increased as well, strange as that may seem. On an even more general plane, I've grown more accustomed to failure, to the point where it doesn't scare me as much as it once did. Making mistakes, sometimes one after another after another, is an inevitable part of language learning. While it may sound bad to have such an accomplishment, as the saying goes, "failure is the foundation of success."

G.W. (The Netherlands / Zuyd University)

I felt at home immediately after coming. Also, my Tutor supported me. Without him, I would have had a very tough time. We always chatted when we met up during Fridays. It was very nice talking to him; the 2 hours on average just seemed to tick away in seconds. I am very grateful and lucky to have such a great tutor. I

think the tutor-exchange student at Shinshu University system deserves a lot of praise, because it gives both the Japanese and the exchange students a unique change to learn more about foreign cultures.

信州大学交換留学生プログラム申請パッケージ Application Package for Shinshu University Exchange Student Application

この用紙は在籍大学の交換留学生担当者に記入してもらい、パッケージの表紙としてお使いください。
Please ask the contact person of your home University to complete this sheet, then use this sheet as the cover page for your application package.

1. 申請書類の提出に当たっては、在籍大学の交換留学担当責任者(担当者)から提出しなければなりません。申請者本人が、直接、信州大学へ提出しないようにしてください。This application package must be submitted to the section in charge of exchange programs at the applicant's home university. Do not send it directly to Shinshu University.

2. 本申請パッケージには下記の内容が含まれています。 This application package consists of:

- | | |
|---------------------------------|--|
| ・ Sheet1. 表紙(この用紙) | Sheet1. Cover Page (this page) |
| ・ Sheet2. 申請書類チェックリスト<Form1> | Sheet2. Application Documents Checklist <Form1> |
| ・ Sheet3. 交換留学生プログラム申請書<Form 2> | Sheet3. Application Form <Form2> |
| ・ Sheet4. 保険加入申込書<Form 3> | Sheet4. Insurance Application Form <Form3> |
| ・ Sheet5. 健康診断書<Form 4> | Sheet5. Certificate of Health <Form4> |
| ・ Sheet6. 記入時の注意事項(必ずお読みください) | Sheet6. Instruction Guide (Please be sure to read) |
| ・ Sheet7. 申請書の記入例 | Sheet7. Sample Form |
| ・ Sheet8. JASSO奨学金について | Sheet8. About JASSO scholarship |

*Sheet6, Sheet7, Sheet8 は提出する必要がありません。Do not need to submit the Sheet6, Sheet7, Sheet8.

<出願者情報 Information of Applicant>

| | | | |
|----------------------------|------------|----------|-----------|
| 提出日 Date | 月 Month | 日 Day | 年 Year |
| 出願者氏名 Name of Applicant | | | |
| 在籍大学名 Home University | | | |

<出願者数及び上記出願者の推薦順位>

<Number of applicants & Priority order of the above applicant >

| | |
|---|------------------------|
| 出願者数(計) Number of Applicants (Total) | 推薦順位 Priority Order |
|---|------------------------|

<在籍大学交換留学担当者連絡先>

<Information about the section in charge of exchange programs at your home university>

| | |
|------------------------------|--|
| 氏名 Name of Contact Person | |
| 電話番号 Phone Number | |
| Eメールアドレス Email | |

<提出期間(必着) Application Period (must reach us)>

秋期入学: 4月1日~4月30日, 春期入学: 前年の10月1日~10月30日
Autumn Semester: April 1 - April 30. Spring Semester: October 1 - October 30 in the previous year.

<宛先 Address>

〒390-8621
日本長野県松本市旭3-1-1 信州大学グローバル教育推進センター
Shinshu University Global Education Center, 3-1-1 Asahi, Matsumoto, Nagano, 390-8621, Japan
Phone: +81-263-37-3360 Fax: +81-263-37-2181

信州大学交換留学生プログラム申請書類チェックリスト

Shinshu University Exchange Student Program Application Documents Checklist

| | |
|---|--|
| 在籍大学 Home University | |
| 学生氏名(英語表記) Student's name in English | |

Form 1. 申請書類チェックリスト Application Documents Checklist

- * このチェックリストは下記申請書類と一緒に在籍大学の交換留学担当者に提出してください。
- * Please submit this checklist and the following documents to the exchange student coordinator in your home university.

Form 2. 交換留学生プログラム申請書 Application Form

- * 本学指定様式をご使用ください。英語もしくは日本語で記入してください。
- * Please use specified form, and fill out in English or Japanese.

Form 3. 保険加入申請書 Insurance Application Form

- * 本学指定様式をご使用ください。署名欄に手書きで署名してください。
- * Please use specified form, and write your signature by hand.

Form 4. 健康診断書 Certificate of Health

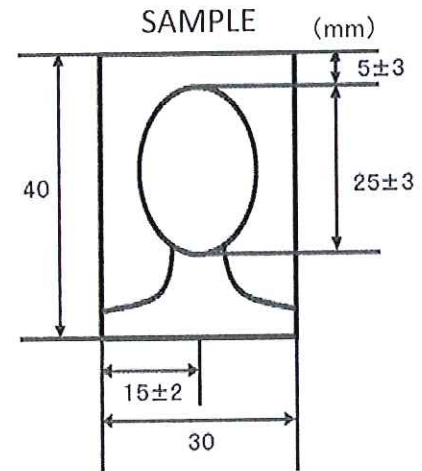
- * 本学指定様式をご使用ください。英語もしくは日本語で記入。
- * Please uses specified form, and fill out in English or Japanese.

成績証明書 Original Academic Transcript

- * 英語もしくは日本語で作成してもらってください。
- * Please provide the document in English or Japanese.

証明写真4枚 Four Photos (Size: 40mm×30mm)

- * 写真の裏に必ず名前(英語表記)を書いてください。
- * 指定サイズ以外の場合は、手続きを進めません。
- * 1枚は申請書に貼って、残りの3枚は申請書類に同封して提出してください。
- * Please write student's name in English on the back.
- * The proceedings shall be discontinued if the photos are not specified size.
- * Please paste ONE photo on application form, and enclose THREE photos with application documents.



パスポートのコピー Copy of your passport

- * 写真の頁。来日歴がある場合、入出国管理証印(スタンプ)の頁も。
- * Photo page. If you have been to Japan, please send stamp page, too.

銀行預金残高証明書または奨学金証明書
Certificate of Bank Deposit Balance or Certificate of Scholarship

- * 十分な預金残高を証明できる本人または経費支弁者名義の銀行残高証明書原本、または 奨学金支給機関から奨学金の受給期間と金額が明記されている証明書。英語もしくは日本語で作成してもらってください。
- * 留学期間が1学期の場合: 50万円相当、留学期間が2学期の場合: 100万円相当

- * An official, original certificate of bank deposit balance in your or your sponsor's name, indicating a sufficient account balance, or an official certificate from the organization that issues your scholarship indicating the amount and duration. Please provide the document in English or Japanese.
- * Minimum amount: Equivalent to JPY500,000 for half a year exchange; JPY1,000,000 for one-year exchange.

日本語能力証明書のコピー
Copy of Certificate of Japanese Language Proficiency

- * 所有している場合のみ。If available.

信州大学交換留学生プログラム申請書

Shinshu University Exchange Student Application Form

~~ 2018年秋期入学 / Autumn 2018 Admission ~~

1. Personal Data

| | | | | |
|---|-----------------------------------|------------------------------------|---------------------------|---|
| 姓名(英語表記) Name in English | _____ | | | 写真 Photo (40mm×30mm) 写真の裏に名前(英語表記)を書いてください。 Please write your name in English on the back. |
| | Family Name | Given Name | Middle Name | |
| カタカナ姓名 Name in Katakana | _____ | | | |
| | Family Name | Given Name | Middle Name | |
| 漢字姓名 Name in Chinese Characters(Kanji) | _____ | 国籍・地域 Nationality/Region | _____ | |
| 婚姻状況 Marital Status | <input type="checkbox"/> 未婚Single | <input type="checkbox"/> 既婚Married | 性別 Sex | <input type="checkbox"/> 男 Male <input type="checkbox"/> 女 Female |
| 生年月日 Date of Birth | 年 Y | 月 M | 日 D | 出生地 Place of Birth |
| | | | | 国: Country: |
| | | | | 市: City: |
| 現住所 Current Address | _____ | | | |
| | Street and Number | | City | Country/State |
| | Zip Code | | | |
| 電話番号 Telephone No. | _____ | ファクス番号 Fax No. | _____ | |
| | Country code | Area code | Number | Country code |
| | | | | Number |
| Eメール 1 Email Address 1 | _____@ | | Eメール 2 Email Address 2 | _____@ |

2. Academic Background

| | | | |
|---|--|---|---|
| 自国の大学名 Your University | _____ | 学部 Faculty | _____ |
| 現在の専攻 Current Major | _____ | 副専攻 Minor | _____ |
| 現在の学年 Current school year/grade | <input type="checkbox"/> 学部 Undergraduate level | <input type="checkbox"/> 修士課程 Master's program | <input type="checkbox"/> 博士課程 Doctor's program |
| | | | 年生 year/grade |
| 卒業予定年月日 Expected Date of Graduation <small>(申請者は信州大学での交換留学プログラム終了時に、所属大学に在籍していなければならない。Note: You must be enrolled as a degree-seeking student at your home university for your entire study period at Shinshu University)</small> | _____ | 年 Y | 月 M |
| | | | 日 D |
| 取得予定学位 Expected Degree | _____ | 教育を受けた期間(小学校から現在まで) Total Period of Education(from elementary school to present) | 年 Year |

3. Personal History of Japanese Language Study

| | | | | | | |
|--|--|--------------------------------------|---------------------------------|---------------------------------|----------------------------------|-----|
| 日本語学習歴 History of Japanese language study | <input type="checkbox"/> 自宅学習 Off-campus study | _____年Years | _____ヶ月Months | | | |
| | <input type="checkbox"/> 高校 High School | _____年Years | _____ヶ月Months | | | |
| | <input type="checkbox"/> 大学 University | _____年Years | _____ヶ月Months | | | |
| | <input type="checkbox"/> 日本語学校・塾 Japanese Language School/Private School | _____年Years | _____ヶ月Months | | | |
| | <input type="checkbox"/> その他 Other () | _____年Years | _____ヶ月Months | | | |
| | 計 Total | _____年Years | _____ヶ月Months | | | |
| 日本語能力 Japanese skill | 話す能力 Speaking | <input type="checkbox"/> 優 Excellent | <input type="checkbox"/> 良 Good | <input type="checkbox"/> 可 Fair | <input type="checkbox"/> 不可 Poor | |
| | 聞く能力 Listening | <input type="checkbox"/> 優 Excellent | <input type="checkbox"/> 良 Good | <input type="checkbox"/> 可 Fair | <input type="checkbox"/> 不可 Poor | |
| | 読む能力 Reading | <input type="checkbox"/> 優 Excellent | <input type="checkbox"/> 良 Good | <input type="checkbox"/> 可 Fair | <input type="checkbox"/> 不可 Poor | |
| | 書く能力 Writing | <input type="checkbox"/> 優 Excellent | <input type="checkbox"/> 良 Good | <input type="checkbox"/> 可 Fair | <input type="checkbox"/> 不可 Poor | |
| | 試験 Name of Examination | | スコア Score or Level | | 取得年月 Test Date (Y/M) | |
| | <input type="checkbox"/> JLPT | Grade() 級 | () | () | () | () |
| <input type="checkbox"/> JPT | | () | () | () | () | |

姓名(英語表記) Name in English:

4. English Proficiency

| | | | | | |
|---|------------------------|--------------------------------------|---------------------------------|---------------------------------|----------------------------------|
| 英語能力 English Skill | 話す能力 Speaking | <input type="checkbox"/> 優 Excellent | <input type="checkbox"/> 良 Good | <input type="checkbox"/> 可 Fair | <input type="checkbox"/> 不可 Poor |
| | 聞く能力 Listening | <input type="checkbox"/> 優 Excellent | <input type="checkbox"/> 良 Good | <input type="checkbox"/> 可 Fair | <input type="checkbox"/> 不可 Poor |
| | 読む能力 Reading | <input type="checkbox"/> 優 Excellent | <input type="checkbox"/> 良 Good | <input type="checkbox"/> 可 Fair | <input type="checkbox"/> 不可 Poor |
| | 書く能力 Writing | <input type="checkbox"/> 優 Excellent | <input type="checkbox"/> 良 Good | <input type="checkbox"/> 可 Fair | <input type="checkbox"/> 不可 Poor |
| | 試験 Name of Examination | | スコア Score or Level | | 取得年月 Test Date (Y/M) |
| <input type="checkbox"/> TOEFL(<input type="checkbox"/> CBT <input type="checkbox"/> PBT <input type="checkbox"/> iBT) | () | | () | | |
| <input type="checkbox"/> IELTS | () | | () | | |
| <input type="checkbox"/> Others: | () | | () | | |

5. Planed Period of Enrolment at Shinshu University

| | |
|--|--|
| 信州大学での希望学習期間 Which term(s) do you wish to attend? | 春学期:4月~9月(8月中旬~9月下旬は夏季休業) Spring Semester: Apr. ~ Sep.(Summer vacation:Mid Aug.~Late Sep.) 秋学期:10月~翌年3月(2月中旬~3月下旬は春季休業) Autumn Semester: Oct. ~ Mar.(Spring vacation:Mid Feb. ~Late Mar.) |
| | <input type="checkbox"/> 1セメスター(半年間) / 2018年10月~2019年3月 1 semester (6 months) / From October 2018 to March 2019 |
| | <input type="checkbox"/> 2セメスター(1年間) / 2018年10月~2019年9月 2 semesters (1 year) / From October 2018 to September 2019 |

6. Study Plan at Shinshu University 原則日本語記入 Please try to write in Japanese. If that is not possible, English is also acceptable.

| | | | |
|---|--|---|--|
| 信州大学での希望学習スタイル Area of study you wish to pursue at Shinshu | | | |
| 1学期目 1st Semester | <input type="checkbox"/> 日本語関連科目 Japanese language-related subjects | <input type="checkbox"/> 専門科目 Major subjects | |
| 2学期目 2nd Semester <small>(交換留学1年の場合 If your exchange period is 1 Year)</small> | <input type="checkbox"/> 日本語関連科目 Japanese language-related subjects | <input type="checkbox"/> 専門科目 Major subjects | |

専門科目を☑チェックした場合、希望する専攻 If you checked the box of major subjects, Please indicate the major of area.

志望動機 (信州大学を選ぶ理由) Purpose of Study (Reason why you chose Shinshu University)

1学期目で学びたいこと What do you wish to learn in your first semester

姓名(英語表記) Name in English: _____

2学期目で学びたいこと(交換留学1年の場合) What do you wish to learn in your second semester(If your exchange period is 1 year)

信州大学の日本人学生と交流したいこと。そして、日本人学生を自分の国・大学へ交換留学させるために信州大学でやりたいこと。
What kind of activities do you wish to interact with Japanese students? And what do you want to do at Shinshu University in order to encourage more Japanese students to study abroad in your home country or university?

在籍大学の卒業後、大学院への進学を考えていますか? Do you wish to pursue postgraduate studies after you graduate from your home university?

はい Yes いいえ No まだ分からない I haven't decided yet.

↓

「はい」を選んだ方は、信州大学大学院への進学を希望しますか?
If yes, do you wish to pursue your postgraduate studies at Shinshu University?

はい Yes いいえ No 選択肢として考えている。I haven't decided yet, but I consider Shinshu University as a possible alternative.

7. Health Declaration

肉体的または精神的な持病のある方は、生活上、学習上配慮が必要な場合に対応するため、その詳細をご記入ください。
If you have any chronic diseases, please provide us with the details of any outstanding physical or mental conditions that may require special care or attention in the course of your day-to-day life on campus.

| | |
|---|--|
| <input type="checkbox"/> 特に持病ない I don't have any chronic diseases | <input type="checkbox"/> 閉所恐怖症 Claustrophobia, fear of enclosed places |
| <input type="checkbox"/> 対人恐怖症 Anthrophobia, social phobia | <input type="checkbox"/> 高所恐怖症 Acrophobia, fear of heights |
| <input type="checkbox"/> 注意欠陥多動性障害 (ADHD) | <input type="checkbox"/> パニック障害 Panic disorder |
| <input type="checkbox"/> 学習障害 Learning disability | <input type="checkbox"/> うつ病 Depression |
| <input type="checkbox"/> 統合失調症 Schizophrenia | <input type="checkbox"/> その他 Other (_____) |

8. Immigrate Related Information

在日親族及び同居者がいる場合、記入してください。 If you have family or co-residents residing in Japan, please fill in.

| 続柄 Relationship | 氏名 Name | 生年月日 Date of Birth | 国籍・地域 Nationality/Region | 同居予定 Intended to reside with applicant or not | 勤務先・通学先 Place of employment/school | 在留カード番号 特別永住者証明書番号 Residence card number Special Permanent Resident Certificate number |
|---|--|-----------------------|-----------------------------|--|--|---|
| | | | | Yes / No | | |
| | | | | Yes / No | | |
| 過去の出入国歴 Have you entered or stayed in Japan in the past? | <input type="checkbox"/> 有(回数 回/直近の出入国歴 time(s)/The latest entry | | | 年 月 日 ~ 年 月 日 Y M D ~ Y M D | <input type="checkbox"/> 無 No | |
| 査証申請予定地 Intended place to apply for visa | | | | 犯罪歴(日本国外におけるものも含む) Criminal record (in Japan or overseas) | <input type="checkbox"/> 無No <input type="checkbox"/> 有Yes | |
| 上陸予定港 Anticipated port of entry | <input type="checkbox"/> 成田空港Narita Airport(NRT) <input type="checkbox"/> 中部国際空港Chubuokokusai Centrair Airport(NGO) <input type="checkbox"/> 羽田空港Tokyo International Haneda Airport(HND) <input type="checkbox"/> その他Others:(_____) | | | | | |

| | |
|---------------------------|--|
| 姓名(英語表記) Name in English: | |
|---------------------------|--|

9. Financial Information

| | |
|--|---------------------------------|
| JASSO奨学金に申請したいですか？(申請者は必ずSheet8.About JASSOにて応募条件を確認してください。) Are you intending to apply for a JASSO scholarship? (Students wishing to apply must check for eligibility in sheet8.About JASSO beforehand.) | |
| <input type="checkbox"/> はい Yes | <input type="checkbox"/> いいえ No |

| | | | | | | | | | |
|--|---------------------------------|------------------|-------------------|------------------|-----------------------|-----------|------------------|-------------------|--|
| 他の奨学金を受けている、または申請する予定。 Has received, or is intending to apply for other scholarships. | | | | | | | | | |
| <input type="checkbox"/> はい Yes | <input type="checkbox"/> いいえ No | | | | | | | | |
| 「はい」を選んだ方は、奨学金の名称と選考結果が判明する時期を記入してください。If yes, give name and expected decision dates. | | | | | | | | | |
| <table border="1" style="width:100%; border-collapse: collapse;"> <tr> <td style="width:30%; padding: 2px;">奨学金名称: Name of scholarship:</td> <td style="width:30%;"></td> <td style="width:15%; padding: 2px;">受給内容: 約 About</td> <td style="width:25%; padding: 2px;">円/月 JPY/month</td> </tr> <tr> <td style="padding: 2px;">受給期間: Period: from</td> <td style="padding: 2px;">年 Year</td> <td style="padding: 2px;">月 から Month to</td> <td style="padding: 2px;">年 月 Year Month</td> </tr> </table> | 奨学金名称: Name of scholarship: | | 受給内容: 約 About | 円/月 JPY/month | 受給期間: Period: from | 年 Year | 月 から Month to | 年 月 Year Month | <input type="checkbox"/> 有 Yes <input type="checkbox"/> 無 No |
| 奨学金名称: Name of scholarship: | | 受給内容: 約 About | 円/月 JPY/month | | | | | | |
| 受給期間: Period: from | 年 Year | 月 から Month to | 年 月 Year Month | | | | | | |
| 返済義務の有無: Do you have to pay back the scholarship in the future? | | | | | | | | | |
| 申請予定の場合、選考結果が判明する時期: If you are applying for other scholarships, give the expected decision dates: | | | | | | | | | |
| / 年Y/M | | | | | | | | | |

| | |
|--|---------------------------------|
| ★奨学金無しでも、本プログラムに参加しますか？ Do you have the means to participate in this program without a scholarship? | |
| <input type="checkbox"/> はい Yes | <input type="checkbox"/> いいえ No |

| | |
|--|---------------------------------|
| ★国際交流会館に入居できなくても、本プログラムに参加しますか？ Do you have the means to participate in this program without staying international house? | |
| <input type="checkbox"/> はい Yes | <input type="checkbox"/> いいえ No |

| | | | | | | | | | | | | | |
|--|---|--|----------------------|--|--------------------|---|---------------------------|------------------------------|-------------------------------|-----------------|---|---------------------------|--|
| 両方とも「はい」を選んだ方は、下記滞在費の支弁方法について答えてください。If checked yes in both questions marked ★, please indicate the method of support to meet the expenses while in Japan. | | | | | | | | | | | | | |
| 滞在費の支弁方法について Method of support to meet the expenses while in Japan. | | | | | | | | | | | | | |
| <input type="checkbox"/> 本人負担 Self (約about _____ 円/月 JPY/month) | | | | | | | | | | | | | |
| <input type="checkbox"/> 経費支弁者 Supporter (約about _____ 円/月 JPY/month) | | | | | | | | | | | | | |
| <table border="1" style="width:100%; border-collapse: collapse;"> <tr> <td style="width:60%; padding: 2px;">支弁者氏名: Supporter's name:</td> <td style="width:40%;"></td> </tr> <tr> <td style="padding: 2px;">住所: Home address:</td> <td></td> </tr> <tr> <td style="padding: 2px;">職業: Occupation:</td> <td style="padding: 2px;">勤務先: Name of Corporation or Company:</td> </tr> <tr> <td style="padding: 2px;">自宅電話: Telephone(home):</td> <td style="padding: 2px;">勤務先電話: Telephone(office):</td> </tr> <tr> <td style="padding: 2px;">年収: 約 Annual income: about</td> <td style="padding: 2px;">円/年 JPY/year</td> </tr> </table> | 支弁者氏名: Supporter's name: | | 住所: Home address: | | 職業: Occupation: | 勤務先: Name of Corporation or Company: | 自宅電話: Telephone(home): | 勤務先電話: Telephone(office): | 年収: 約 Annual income: about | 円/年 JPY/year | <table border="1" style="width:100%; border-collapse: collapse;"> <tr> <td style="width:60%; padding: 2px;">申請人との関係: Relationship:</td> <td style="width:40%;"></td> </tr> </table> | 申請人との関係: Relationship: | |
| 支弁者氏名: Supporter's name: | | | | | | | | | | | | | |
| 住所: Home address: | | | | | | | | | | | | | |
| 職業: Occupation: | 勤務先: Name of Corporation or Company: | | | | | | | | | | | | |
| 自宅電話: Telephone(home): | 勤務先電話: Telephone(office): | | | | | | | | | | | | |
| 年収: 約 Annual income: about | 円/年 JPY/year | | | | | | | | | | | | |
| 申請人との関係: Relationship: | | | | | | | | | | | | | |

上記の記載内容は事実と相違ありません。また日本滞在期間中は信州大学の規則に従うことを約束します。JASSOによる「海外留学支援制度(短期受入)奨学金が受給された場合、私はその奨学金の規定を遵守することを約束します。

I hereby certify that the information I have given on this form is true and correct to the best of my knowledge, and I agree to comply with all the regulations and rules of Shinshu University during my stay in Japan. If I am chosen as a recipient of a "Student Exchange Support Program Scholarship for Short-term Study in Japan" JASSO scholarship, I promise to abide by the provisions set out in that scholarship.

年 月 日
 Year Month Day

署名:
 Signature

信州大学交換留学生プログラム 保険加入申込書
Shinshu University Exchange Student Program Insurance Application Form

私は、信州大学交換留学生プログラムに参加するにあたり、以下の保険に加入します。
In order to participate in Shinshu University Exchange Student Program, I will join in the insurance below.

申込み日付(日/月/年):
Application date(dd/mm/yyyy): _____

加入者氏名(パスポートの英語表記):
Applicant's name(as written in passport): _____

署名(手書きでサインしてください):
Signature(write your signature by hand): _____

学生総合共済 NM型、賠償責任保険付き & 火災保険
Life mutual insurance for students, NM type, with personal liability insurance, & Fire Mutual Insurance

全国の大学生協会員が掛け金を出し合って万一の場合に備える「助け合い」の制度で、全国で約70万人が加入しています。この保険は、大学生活中に起こり得る事故や病気による入院、通院、賠償責任などを広くカバーしています(ただし往復渡航時のトラブルについては保障対象となりません)。**このプログラムに参加する学生は必ず加入しなければなりません。**

Kyosai is a mutual aid insurance system among the nationwide university coop members. About 700,000 people participate in this system to prepare for unexpected problems. It covers wide range of troubles such as hospitalization, outpatient visits, and personal liability compensation. However, please be aware that any troubles during an international flight are not included. **All students on this program must join in this insurance.**

保険内容 Coverage contents

| | |
|---|--|
| 病气入院(1~200日まで) Hospitalization due to illness (first day until 200 days) | 2,500円/日 2,500 yen daily charge |
| 事故入院(1~200日まで) Hospitalization due to accident (first day until 200 days) | 2,500円/日 2,500 yen daily charge |
| 事故通院(5日以上入院・通院、1~90日まで) Attending hospital due to accident (Hospitalization and attending hospital for 5 days and above, from the first day until 90 days) | 1,000円/日 1,000 yen daily charge |
| ギプス等固定具試用期間 Use of plaster cast or fixation tools in such a term | 1,000円/2日 1,000 yen for two days |
| 手術費用 Operation expenses | 10,000円/回 10,000 yen each time |
| 事故による後遺障害 Aftereffect due to accident | 最大150万円 Maximum 1,500,000 yen |
| 病气による後遺障害 Aftereffect due to diseases | 最大150万円 Maximum 1,500,000 yen |
| 病气・事故死亡 Death due to accident or diseases | 500,000 yen |
| その他の死亡 Death with other causes | 250,000 yen |
| 救済者費用(重大な事故や病气の際、緊急に家族が来日する経費) Rescue expenses (expenses when family must visit Japan unexpectedly in the event of a major accident or illness) | 最高100万円まで Up to 100 million yen |
| 日常生活における賠償事故 Liability accident in daily life | |
| 他人に対する賠償責任 Liability with regard to a third person | 最高2億円まで Up to 200 million yen |
| 他人に対するお見舞い Sympathy gift to a third person | 最高50万円まで Up to 500,000 yen |
| 正課中における賠償事故 Liability accident during official activities | |
| 他人に対する賠償責任 Liability responsibility to a third person | 最高2億円まで Up to 200 million yen |
| 他人のプライバシー侵害や名誉毀損に対する賠償責任 Liability responsibility for infringing on someone's privacy or defamation | 1事故500万円まで Up to 5 million yen per accident |
| 他人からの借用物に対する賠償責任 Liability for an item borrowed from a third person | 最高2億円まで Up to 200 million yen |
| 借家人賠償責任と火災・風水害・盗難による家財の保障 Liability for damages, and also the loss of household possession due to fire, wind, flood, or burglary | 最高1,200万円まで Up to 12 million yen |

保険料 Insurance fee : 12ヶ月9,000円程度 (About ¥9,000 for 12 months)

- * この他に、生協加入料として¥1,000が必要です。Also 1,000 yen as University Co-op membership fee must be paid.(refundable deposit)
- * 半年滞在の者は、帰国時に約半額戻ってきます。Those who study 1 semester receive about half of the fee when returning home.
- * 保険料が上がる可能性があります。Insurance fee might be increased.

備考 Remarks:

- * 往復の渡航中のトラブルは保障の対象外となります。Overseas travel insurance not included (round trip from/to home country).
- * バイク、車の運転時の事故は保障の対象外となります。No coverage for accidents while driving motorcycle/car.
- * 保険料の支払いは、渡日後、グローバル教育推進センターへ現金で持参してください。Please pay the insurance fee in cash at the Global Education Center after your arrival.

健康診断書
CERTIFICATE OF HEALTH (to be completed by the examining physician)

日本語又は英語により明瞭に記載すること。
Please fill out (PRINT/TYPE) in Japanese or English.

氏名 _____ 男 Male 生年月日 _____ 年齢 _____
Name: _____ 女 Female Date of Birth: _____ Age: _____
Family name, First name Middle name

1. 身体検査
Physical Examinations

- (1) 身長 _____ cm 体重 _____ kg
Height Weight
- (2) 血圧 _____ mm/Hg ~ _____ mm/Hg 血液型

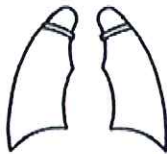
| | | |
|---|---|---|
| A | B | O |
|---|---|---|

 RH

| | |
|---|---|
| + | - |
|---|---|

 脈拍 整 regular 不整 irregular
Blood pressure Blood Type Pulse
- (3) 視力 裸眼 without glasses (R) _____ (L) _____ 矯正 with glasses or contact lenses (R) _____ (L) _____ 色覚異常の有無 正常 normal 異常 impaired
Eyesight color blindness
- (4) 聴力 正常 normal 低下 impaired 言語 正常 normal 異常 impaired
Hearing speech:

2. 申請者の胸部について、聴診とX線検査の結果を記入してください。X線検査の日付も記入すること(6ヶ月以上前の検査は無効。)
Please describe the results of physical and X-ray examinations of applicant's chest x-ray (X-ray taken more than 6 months prior to the certification is NOT valid).



肺 正常 normal 異常 impaired
lung:
← Date _____
Film No. _____

心臓
Cardiomegaly:

正常 normal 異常 impaired

異常がある場合
心電図

Electrocardiograph: 正常 normal 異常 impaired

Describe the condition of applicant's lung.

3. 現在治療中の病気 Yes (Disease: _____) No
Disease Treated at Present

4. 既往症
Past history: Please indicate with + or - and fill in the date of recovery

Tuberculosis..... (. .) Malaria..... (. .) Other communicable disease..... (. .)
Epilepsy..... (. .) Kidney Disease..... (. .) Heart Diseases..... (. .)
Diabetes..... (. .) Drug Allergy..... (. .) Psychosis..... (. .)
Functional Disorder in extremities..... (. .)

5. 検査 Laboratory tests
検尿 Urinalysis: glucose () , protein () , occult blood ()

赤沈 ESR: _____ mm/Hr, WBC count: _____ /cmm 貧血
Hemoglobin: _____ gm/dl, GPT: _____
anemia

6. 診断医の印象を述べて下さい。
Please describe your impression.

7. 志願者の既往歴、診察・検査の結果から判断して、現在の健康の状況は十分に留学に耐えうるものと思われますか?
In view of the applicant's history and the above findings, is it your observation his/her health status is adequate to pursue studies in Japan?
yes no

日付 _____ 署名 _____
Date: _____ Signature: _____

医師氏名
Physician's Name in Print: _____

検査施設名
Office/Institution: _____
所在地
Address: _____

信州大学交換留学生プログラム申請書 記入時の注意事項 Shinshu University Exchange Student Program Application Form Instruction Guide

すべての項目を日本語又は英語により明瞭に記入してください。(パソコン入力でも手書きでも良いですが、署名欄は必ず手書きでサインしてください。)未記入がある場合は受付られません。Please type or write clearly and answer all questions completely either in Japanese or in English (Write your signature by hand). Incomplete form will not be accepted.

1. Personal Data

- ・ パスポートと同じ姓名(英語表記)を書いてください。(例えパスポートに間違っつづつたとしても)
- ・ カタカナ姓名: 自分の名前を日本語のカタカナで書いてください。分からない場合は自国の日本語教師等に聞いてください。
- ・ 漢字姓名: 漢字姓名のある学生は漢字で書いてください。
- ・ Write all of your name(s) in English as it appears on your passport (even if the name is misspelled).
- ・ Name in Katakana: Please write your name in Japanese Katakana. If you are not sure, please ask any Japanese teacher.
- ・ Name in Chinese Characters(Kanji): If applicable, write your name in Chinese Characters.

2. Academic Background

- ・ 卒業予定年月日: 在籍大学の学期、信州大学での交換留学期間を考慮して、記入してください。
- ・ Expected Date of Graduation: Please write your expected date of graduation, taking into account academic requirements at your home university and your exchange period at Shinshu university.

3. Personal History of Japanese Language Study

- ・ 日本語を勉強した教育機関及び学習期間を記入してください。日本語能力試験に合格した場合、級とスコアを書いてください。
- ・ 信州大学の授業は語学科目を除き、全て日本語で行われています。英語による授業を実施していませんのでご注意ください。来日後、プレースメントテストの結果よりクラスが決まります。日本語レベルや教室収容能力により履修できない科目があります。下記URLから最新の募集要項をご参考ください。

<http://www.shinshu-u.ac.jp/institution/gec/cheer/inbound/short-term-program/exchange-student.php>

- ・ Please select the place which you study Japanese language and fill in the duration of your studies. If you have passed the Japanese Language Proficiency Test, please indicate the level and score that you obtained.

- ・ Except Language subjects, all of the classes offered at Shinshu University are taught in Japanese. Please note that the classes are not offered in English. After arriving at Shinshu University, students may opt to take classes at a level determined by the result of their placement test. Students may not be allowed to attend some classes if their Japanese language skill is not enough or the class becomes full. Please check the following website for the latest guideline of our exchange student program.

<http://www.shinshu-u.ac.jp/institution/gec/cheer/english/inbound/short-term-program/exchange-student.php>

4. English Proficiency

- ・ 英語は母国語でない場合、英語能力を自己評価してください。英語試験(e.g., TOEFL, IELTS, TOEIC)を受けた人は、試験名とスコアを書いてください。
- ・ If English is not your native language, please rate your English ability. If available, state the name of any internationally recognized English language examination (e.g., TOEFL, IELTS, TOEIC) taken, and scores obtained.

5. Planed Period of Enrolment at Shinshu University

- ・ 留学期間の中から1つを選んでください。

・ 事前オリエンテーションに出席するため、秋学期からの参加学生は9月中下旬に、春学期からの参加学生は3月の最終週に日本に到着する必要があります。秋学期授業終了後に信州大学を離れても学生身分は3月下旬まで有効です。春学期授業終了後に信州大学を離れても学生身分は9月下旬まで有効です。

- ・ Please select one of the period of study.

・ Students joining this program are required to arrive in Japan for a pre-class orientation as follows: those joining the program in the autumn semester must arrive in Japan in late September; those joining the program in the spring semester must arrive in Japan in late March. The student status of applicants intending to leave Shinshu University at the end of the spring class period will be valid until late September. The student status of applicants intending to leave Shinshu University at the end of the autumn class period will be valid until late March.

6. Study Plan at Shinshu University

- ・ 信州大学での希望学習スタイル: 何らかの日本語科目を受講する場合は日本語関連科目も選んでください。

・ 教育学部・工学部・農学部・繊維学部は日本語関連科目が実施される松本キャンパスから遠く離れており、日本語関連科目と上記4学部の専門科目を同時に受講することはできません。

*このページ(Sheet6)は提出する必要がありません。Do not need to submit this page (Sheet6).

信州大学交換留学生プログラム申請書 記入時の注意事項

Shinshu University Exchange Student Program Application Form Instruction Guide

- ・下記URLより信州大学で希望する学部・専攻を選んでください。
 - ・学部案内: <http://www.shinshu-u.ac.jp/faculty/>
 - ・大学院案内: <http://www.shinshu-u.ac.jp/graduate/>
 - ・センター日本語授業: <http://www.shinshu-u.ac.jp/institution/gec/globaleducation/global-learning/japanese-related-subjects.php>
 - ・シラバス検索(日本語のみ): <http://campus-2.shinshu-u.ac.jp/syllabus/syllabus.dll/Top>
- ・1学期目または2学期目で学びたいこと: 専門科目を学習(または研究)したい人は受けたい授業、指導を受けたい(またコンタクトした)教員を詳細に書いてください。但し、必ずしもご希望の教員に指導される保証はありません。
参考: 信州大学研究者総覧 <http://www.shinshu-u.ac.jp/soar/>
- ・交換留学終了後、信州大学大学院への入学を目指すために研究生として入学することを希望する方については、大学院入学前1年以内の授業料・検定料・入学料を不徴収とします。詳細についてはお問い合わせください。
- ・Area of study you wish to pursue at Shinshu: If you wish to take any Japanese subjects, Choose Japanese, too.
- ・Please note that the Faculty of Education, Faculty of Engineering, Faculty of Agriculture, and Faculty of Textile Science and Technology are located far separately from Matsumoto campus. You cannot register major subjects in those four faculties and courses related to Japanese language during the same semester.
- ・If you wish to study major at Shinshu, please select the major you wish to study at Shinshu University from website:
 - ・Undergraduate: <http://www.shinshu-u.ac.jp/english/faculty/>
 - ・Graduate: <http://www.shinshu-u.ac.jp/english/graduate/>
 - ・GEC Japanese Course: <http://www.shinshu-u.ac.jp/institution/gec/globaleducation/english/>
 - ・Syllabi(Japanese only): <http://campus-2.shinshu-u.ac.jp/syllabus/syllabus.dll/Top>
- ・What you wish to learn in your first/second semester: Applicants who wish to study a major or conduct research at Shinshu University should write details such as the title of major, the name of the faculty member by whom you wish to be supervised or with who you have already been in contact with. But we cannot guarantee that the specified faculty member will be assigned as your academic supervisor. Researcher Directory URL : <http://www.shinshu-u.ac.jp/soar/>
- ・Students who wish to pursue their postgraduate study at Shinshu following this program can prepare for it as a research student and be exempt from examination, entrance and tuition fees for up to one year. Please contact us for further details.

7. Health Declaration

- ・記述内容は学習指導上の参考とさせていただきます。現状について正直に記入してください。学習指導以外の目的には使用いたしません。
- ・This declaration serves as a necessary and important source of reference when administering academic guidance. As such, respond to all questions truthfully and to the best of your knowledge. Be assured that all provided information will not be used for any other purpose.

8. Immigrate Related Information

- ・査証申請予定地: 申請学生の所在地を管轄している日本国大使館/領事館の場所(都市)を記入してください。
- ・Visa application site: Please write the place(city) of Japanese Embassy or Consulate of Japan in charge of your area.

9. Financial Information

- ・JASSO奨学金への申請希望者は必ずSheet8で応募条件を確認してください。JASSO奨学金がなくても本プログラムに参加したい学生は、滞在費の支弁方法項目も記入してください。
- ・滞在費の支弁方法について: 受入前に本人または家族名義の銀行残高証明書、または奨学金受給証明書を提出していただき、下記に相当する資金を確保していることを証明する必要があります。留学期間が1学期の場合: 50万円相当。留学期間が2学期の場合: 100万円相当。
- ・Students wishing to apply for a JASSO scholarship must check for eligibility beforehand in Sheet8. If you willing to participate in this program even without JASSO scholarship, Please fill in the method of support to meet the expenses while in Japan too.
- ・Method of support to meet the expenses while in Japan: A bank statement (your own or that of a close family member), or a certificate of scholarship must be provided as an additional documents to prove the amount. The bank statement (their own, or that of a close family member) verifying that they possess funding as follows: For a one-semester exchange: the equivalent of 500,000 JPY. For a one-year exchange: the equivalent of 1,000,000 JPY.

10. Signature

- ・最後に申請年月日を書いて、手書きでサインしてください。
- ・Write your signature and date by hand in the boxes provided at the bottom of the page.

*このページ(Sheet7)はサンプルですので提出不要です。Do not need to submit this page (sheet7).


信州大学交換留学生プログラム申請書

Shinshu University Exchange Student Application Form

~~ 2018年秋期入学 / Autumn 2018 Admission ~~

SAMPLE

1. Personal Data

| | | | | |
|---|--|-----------------------------|--|---|
| 姓名(英語表記) Name in English | SHINSHU Family Name | HANAKO Given Name | Middle Name |  |
| カタカナ姓名 Name in Katakana | シンシュウ Family Name | ハナコ Given Name | Middle Name | |
| 漢字姓名 Name in Chinese Characters(Kanji) | 信州 花子 | 国籍・地域 Nationality/Region | KOREA | |
| 婚姻状況 Marital Status | <input checked="" type="checkbox"/> 未婚Single <input type="checkbox"/> 既婚Married | 性別 Sex | <input type="checkbox"/> 男 Male <input checked="" type="checkbox"/> 女 Female | |
| 生年月日 Date of Birth | 1997 年 Y 10 月 M 22 日 D | 出生地 Place of Birth | 国: KOREA 市: Seoul Country: City: | |
| 現住所 Current Address | Apt 123 - 456, Abcd - dong, Efgh - Gu, Seoul, Korea, 543-210 Street and Number City Country/State Zip Code | | | |
| 電話番号 Telephone No. | 82 123 4567890 Country code Area code Number | ファクス番号 Fax No. | 82 123 4567891 Country code Area code Number | |
| Eメール 1 Email Address 1 | shinshuhanako@gmail.com | | Eメール 2 Email Address 2 | shinshuhanako@yahoo.com |

2. Academic Background

| | | | | |
|---|--|---------------|---|-----------|
| 自国の大学名 Your University | Abcd University | 学部 Faculty | College of Humanities | |
| 現在の専攻 Current Major | Japanese Studies | 副専攻 Minor | History | |
| 現在の学年 Current school year/grade | <input checked="" type="checkbox"/> 学部 Undergraduate level <input type="checkbox"/> 修士課程 Master's program <input type="checkbox"/> 博士課程 Doctor's program | | 2 年生 year/grade | |
| 卒業予定年月日 Expected Date of Graduation <small>(申請者は信州大学での交換留学プログラム終了時に、所属大学に在籍していなければならない。Note: You must be enrolled as a degree-seeking student at your home university for your entire study period at Shinshu University)</small> | 2019 年 Y 2 月 M 25 日 D | | | |
| 取得予定学位 Expected Degree | Bachelor of Arts | | 教育を受けた期間(小学校から現在まで) Total Period of Education(from elementary school to present) | 13 年 Year |

3. Personal History of Japanese Language Study

| | | | |
|--|---|--|----------------------|
| 日本語学習歴 History of Japanese language study | <input checked="" type="checkbox"/> 自宅学習 Off-campus study | _____ 年Years | _____ 月Months |
| | <input type="checkbox"/> 高校 High School | _____ 年Years | _____ 月Months |
| | <input type="checkbox"/> 大学 University | _____ 年Years | _____ 月Months |
| | <input checked="" type="checkbox"/> 日本語学校・塾 Japanese Language School/Private School | 1 年Years | 6 月Months |
| | <input type="checkbox"/> その他 Other () | _____ 年Years | _____ 月Months |
| | 計 Total | 2 年Years | 4 月Months |
| 日本語能力 Japanese skill | 話す能力 Speaking | <input type="checkbox"/> 優 Excellent <input checked="" type="checkbox"/> 良 Good <input type="checkbox"/> 可 Fair <input type="checkbox"/> 不可 Poor | |
| | 聞く能力 Listening | <input checked="" type="checkbox"/> 優 Excellent <input type="checkbox"/> 良 Good <input type="checkbox"/> 可 Fair <input type="checkbox"/> 不可 Poor | |
| | 読む能力 Reading | <input type="checkbox"/> 優 Excellent <input checked="" type="checkbox"/> 良 Good <input type="checkbox"/> 可 Fair <input type="checkbox"/> 不可 Poor | |
| | 書く能力 Writing | <input type="checkbox"/> 優 Excellent <input type="checkbox"/> 良 Good <input checked="" type="checkbox"/> 可 Fair <input type="checkbox"/> 不可 Poor | |
| | 試験 Name of Examination | スコア Score or Level | 取得年月 Test Date (Y/M) |
| <input checked="" type="checkbox"/> JLPT Grade(NI 級) | (105) | (2016/8) | |
| <input type="checkbox"/> JPT | () | () | |

| | |
|---------------------------|-----------------|
| 姓名(英語表記) Name in English: | SHINSHU, HANAKO |
|---------------------------|-----------------|

4. English Proficiency

| | | | | | | | |
|---|----------------|--------------------------------------|--|--|----------------------------------|--|----------------------|
| 英語能力 English Skill | 話す能力 Speaking | <input type="checkbox"/> 優 Excellent | <input type="checkbox"/> 良 Good | <input checked="" type="checkbox"/> 可 Fair | <input type="checkbox"/> 不可 Poor | | |
| | 聞く能力 Listening | <input type="checkbox"/> 優 Excellent | <input type="checkbox"/> 良 Good | <input checked="" type="checkbox"/> 可 Fair | <input type="checkbox"/> 不可 Poor | | |
| | 読む能力 Reading | <input type="checkbox"/> 優 Excellent | <input checked="" type="checkbox"/> 良 Good | <input type="checkbox"/> 可 Fair | <input type="checkbox"/> 不可 Poor | | |
| | 書く能力 Writing | <input type="checkbox"/> 優 Excellent | <input checked="" type="checkbox"/> 良 Good | <input type="checkbox"/> 可 Fair | <input type="checkbox"/> 不可 Poor | | |
| | | | 試験 Name of Examination | | スコア Score or Level | | 取得年月 Test Date (Y/M) |
| <input type="checkbox"/> TOEFL(<input type="checkbox"/> CBT <input type="checkbox"/> PBT <input type="checkbox"/> iBT) | | () | | () | | | |
| <input type="checkbox"/> IELTS | | () | | () | | | |
| <input checked="" type="checkbox"/> Others: TOEIC | | (600) | | (2011/10) | | | |

5. Planel Period of Enrolment at Shinshu University

| | |
|--|--|
| 信州大学での希望学習期間 Which term(s) do you wish to attend? | 春学期:4月~9月(8月中旬~9月下旬は夏季休業) Spring Semester: Apr. ~ Sep.(Summer vacation:Mid Aug.~Late Sep.) 秋学期:10月~翌年3月(2月中旬~3月下旬は春季休業) Autumn Semester: Oct. ~ Mar.(Spring vacation:Mid Feb. ~Late Mar.) |
| | <input type="checkbox"/> 1セメスター(半年間) / 2018年10月~2019年3月 1 semester (6 months) / From October 2018 to March 2019 <input checked="" type="checkbox"/> 2セメスター(1年間) / 2018年10月~2019年9月 2 semesters (1 year) / From October 2018 to September 2019 |

6. Study Plan at Shinshu University 原則日本語記入 Please try to write in Japanese. If that is not possible, English is also acceptable.

| | | | |
|---|---|--|--|
| 信州大学での希望学習スタイル Area of study you wish to pursue at Shinshu | | | |
| 1学期目 1st Semester | <input checked="" type="checkbox"/> 日本語関連科目 Japanese language-related subjects | <input type="checkbox"/> 専門科目 Major subjects | |
| 2学期目 2nd Semester <small>(交換留学1年の場合 If your exchange period is 1 Year)</small> | <input type="checkbox"/> 日本語関連科目 Japanese language-related subjects | <input checked="" type="checkbox"/> 専門科目 Major subjects | |

専門科目を☑チェックした場合、希望する専攻 If you checked the box of major subjects, Please indicate the major of area.

The Department of Japanese Language and Literature in the Faculty of Arts

志望動機 (信州大学を選ぶ理由) Purpose of Study (Reason why you chose Shinshu University)

1学期目で学びたいこと What do you wish to learn in your first semester

| | |
|---------------------------|-----------------|
| 姓名(英語表記) Name in English: | SHINSHU, HANAKO |
|---------------------------|-----------------|

2学期目で学びたいこと(交換留学1年の場合) What do you wish to learn in your second semester(If your exchange period is 1 year)

信州大学の日本人学生と交流したいこと。そして、日本人学生を自分の国・大学へ交換留学させるために信州大学でやりたいこと。
 What kind of activities do you wish to interact with Japanese students? And what do you want to do at Shinshu University in order to encourage more Japanese students to study abroad in your home country or university?

在籍大学の卒業後、大学院への進学を考えていますか? Do you wish to pursue postgraduate studies after you graduate from your home university?

はい Yes いいえ No まだ分からない I haven't decided yet.

↓

「はい」を選んだ方は、信州大学大学院への進学を希望しますか?
 If yes, do you wish to pursue your postgraduate studies at Shinshu University?

はい Yes いいえ No 選択肢として考えている。 I haven't decided yet, but I consider Shinshu University as a possible alternative.

7. Health Declaration

肉体的または精神的な持病のある方は、生活上、学習上配慮が必要な場合に対応するため、その詳細をご記入ください。
 If you have any chronic diseases, please provide us with the details of any outstanding physical or mental conditions that may require special care or attention in the course of your day-to-day life on campus.

特に持病ない I don't have any chronic diseases 閉所恐怖症 Claustrophobia, fear of enclosed places

対人恐怖症 Anthrophobia, social phobia 高所恐怖症 Acrophobia, fear of heights

注意欠陥多動性障害 (ADHD) パニック障害 Panic disorder

学習障害 Learning disability うつ病 Depression

統合失調症 Schizophrenia その他 Other ()

8. Immigrate Related Information

在日親族及び同居者がいる場合、記入してください。 If you have family or co-residents residing in Japan, please fill in.

| 続柄 Relationship | 氏名 Name | 生年月日 Date of Birth | 国籍・地域 Nationality/Region | 同居予定 Intended to reside with applicant or not | 勤務先・通学先 Place of employment/school | 在留カード番号 特別永住者証明書番号 Residence card number Special Permanent Resident Certificate number |
|--------------------|--------------|-----------------------|-----------------------------|--|---------------------------------------|---|
| Aunt | SHINSHU HARU | 1960/5/20 | Japanese | Yes <u>No</u> Yes / No | Housewife | N/A |

過去の出入国歴
 Have you entered or stayed in Japan in the past? 有 (回数 1 回/直近の出入国歴 2015年 8月 10日 ~ 2015年 8月 20日) 無
 Yes (time(s)/The latest entry Y M D ~ Y M D) No

査証申請予定地
 Intended place to apply for visa: Seoul

犯罪歴(日本国外におけるものも含む)
 Criminal record (in Japan or overseas) 無No 有Yes

上陸予定港
 Anticipated port of entry: 成田空港Narita Airport(NRT) 中部国際空港Chubukokusai Centrair Airport(NGO)
 羽田空港Tokyo International Haneda Airport(HND) その他Others.()

| | |
|---------------------------|-----------------|
| 姓名(英語表記) Name in English: | SHINSHU, HANAKO |
|---------------------------|-----------------|

9. Financial Information

JASSO奨学金に申請したいですか？(申請者は必ずSheet8.About JASSOにて応募条件を確認してください。)
 Are you intending to apply for a JASSO scholarship? (Students wishing to apply must check for eligibility in sheet8.About JASSO beforehand.)

はい Yes いいえ No

他の奨学金を受けている、または申請する予定。
 Has received, or is intending to apply for other scholarships.

はい Yes いいえ No

「はい」を選んだ方は、奨学金の名称と選考結果が判明する時期を記入してください。If yes, give name and expected decision dates.

| | | | | |
|--|-----------------|------------------|--------|---|
| 奨学金名称: Name of scholarship: | ABC Scholarship | 受給内容: 約 About | 40,000 | 円/月 JPY/month |
| 受給期間: Period: from | 2017 | 年 Year | 4 | 月 Month |
| | | から to | 2018 | 年 Year |
| | | | 3 | 月 Month |
| 返済義務の有無: Do you have to pay back the scholarship in the future? | | | | <input checked="" type="checkbox"/> 有 Yes <input type="checkbox"/> 無 No |
| 申請予定の場合、選考結果が判明する時期: If you are applying for other scholarships, give the expected decision dates: | | | | 2016/12 年Y/M |

★奨学金無しでも、本プログラムに参加しますか？
 Do you have the means to participate in this program without a scholarship?

はい Yes いいえ No

★国際交流会館に入居できなくても、本プログラムに参加しますか？
 Do you have the means to participate in this program without staying international house?

はい Yes いいえ No

両方とも「はい」を選んだ方は、下記滞在費の支弁方法について答えてください。If checked yes in both questions marked ★, please indicate the method of support to meet the expenses while in Japan.

滞在費の支弁方法について Method of support to meet the expenses while in Japan.

本人負担 Self (約about _____ 円/月 JPY/month)

経費支弁者 Supporter (約about 80,000 円/月 JPY/month)

| | | | |
|-------------------------------|---|---|--------------------|
| 支弁者氏名: Supporter's name: | SHINSHU TARO | 申請人との関係: Relationship: | Father |
| 住所: Home address: | Apt123-456, Abcd-dong, Efgh-gu, Seoul, Korea, 543-210 | | |
| 職業: Occupation: | Office Worker | 勤務先: Name of Corporation or Company: | Sakura corporation |
| 自宅電話: Telephone(home): | +82-123-45-6789 | 勤務先電話: Telephone(office): | +82-234-54-3210 |
| 年収: 約 Annual income: about | 5,000,000 | 円/年 JPY/year | |

上記の記載内容は事実と相違ありません。また日本滞在中は信州大学の規則に従うことを約束します。JASSOによる「海外留学支援制度(短期受入)」奨学金が受給された場合、私はその奨学金の規定を遵守することを約束します。

I hereby certify that the information I have given on this form is true and correct to the best of my knowledge, and I agree to comply with all the regulations and rules of Shinshu University during my stay in Japan. If I am chosen as a recipient of a "Student Exchange Support Program Scholarship for Short-term Study in Japan" JASSO scholarship, I promise to abide by the provisions set out in that scholarship.

2018 年 4 月 10 日 署名: Shinshu Hanako

Year Month Day Signature

*このページ(Sheet8)は提出する必要がありません。Do not need to submit this page (sheet8).

日本学生支援機構(JASSO)奨学金について About JASSO Scholarship (Student Exchange Support Program)

日本政府文部科学省は日本学生支援機構(Japan Student Services Organization (JASSO))との協力により「海外留学支援制度(短期受入れ)」に基づいて短期留学生に対する奨学金を支給しています。この奨学金制度は、日本の大学と海外の協定大学との間の留学生交流を推進し、日本と各国間の相互理解と友好親善を増進するとともに、日本の大学の国際化・国際競争力強化に資することを目的としています。信州大学交換留学生プログラムが採択された場合は、応募者から推薦候補者を選出します。

The Ministry of Education, Japan (MEXT), in collaboration with the Japan Student Services Organization (JASSO), offers scholarships under the "Student Exchange Support Program" for short-term study in Japan. The scholarship program is intended to encourage student exchange between universities in Japan and their overseas partner institutions, promote understanding and friendship between the countries participating, and strengthen the internationalization and competitiveness of Japanese universities. **If Shinshu University Exchange Student Program is selected as an exchange student program by JASSO, Shinshu University will nominate candidates from the applicants of exchange student program.**

1. 資格及び条件 Eligibility

1. 応募学生は、信州大学と学生交流協定を締結している大学の学部または大学院の正規課程に在籍していて、かつ、日本と国交のある国の国籍を有する者。なお、台湾、パレスチナの学生も対象とする。
2. 在籍大学における学業成績が優秀で、人物等に優れていること。受入前年度の成績が、**GPA 4.0スケールの3.1以上**である。
3. 経済的理由により、自費のみでの留学が困難であること。
4. 日本での留学期間終了後、速やかに在籍大学に戻り学業を継続する者、又は在籍大学の学位を取得する者。
5. 日本への留学にあたり、「留学」の在留資格を確実に取得しえる者。
6. 他団体等から留学のための奨学金を受ける場合、他団体からの奨学金の支給月額の合計が8万円を超えない者。
7. 応募学生は奨学金受給期間の終了後、すみやかに学業報告書を信州大学へ提出すること。日本学生支援機構または信州大学からの各種調査に協力すること。帰国後も調査に協力できること。

上記の条件をすべて満たしていても、採用される保証はありませんので、あらかじめ十分な資金を準備しておく必要があります。

- 1) Applicants must be enrolled at one of our partner universities with a student exchange agreement as a degree-seeking undergraduate or postgraduate student for their whole study period at Shinshu University. The applicant should be of a nationality with which Japan has diplomatic relations. Taiwanese or Palestinian students are also eligible to apply.
- 2) Applicants must possess excellent academic and personal records at their home universities. **A minimum grade point average of 3.1 on a scale of 4.0 (or the equivalent)** for the academic year prior to admission is required.
- 3) Applicants must, due to financial difficulty, be unable to finance their studies in Japan independently.
- 4) Applicants must, upon completion of the exchange term, return to their home universities to resume their studies or be awarded with their degrees.
- 5) Applicants must be eligible to obtain a 'student' visa for the purpose of study in Japan, and therefore must hold a nationality other than Japanese.
- 6) Applicants must not be recipients of scholarship awards from other organizations, if the combined value of these additional scholarships exceeds ¥80,000 per month.
- 7) Applicants must, upon completion of their scholarship term, submit a study report to Shinshu University, and respond to various surveys from JASSO or Shinshu University even after leaving Japan.

Please be advised that meeting the above requirements does not guarantee nomination. You are strongly recommended to prepare sufficient funds in advance.

2. 奨学期間 Scholarship Granted Period

原則として、信州大学交換留学生プログラム参加期間。

In general, the period during which you participate in Shinshu University Exchange Student Program.

3. 奨学金の詳細 Scholarship Provisions

月額奨学金 : ¥80,000 *奨学金の内容は日本政府の予算状況により変更する可能性があります。

A monthly stipend of: ¥80,000 * Amount of scholarship may change due to limitations in the government budget.

4. 応募方法 Application Procedure

「海外留学支援制度」奨学金への応募を希望する学生は、交換留学生プログラム申請書のJASSO奨学金応募項目(質問9)で「Yes」を選択してください。信州大学交換留学プログラムは「留学生交流支援制度」に採択された場合、「Yes」を選んだ方の中から信州大学の学内選考で候補者を選出し、下記の日程で選考結果を候補者の在籍大学に通知する予定です。

秋期入学(9月下旬日本到着): 6月下旬 春期入学(4月上旬日本到着): 3月上旬

Students wishing to apply for a JASSO scholarship must check "Yes" on question 9 of the application form ("Are you intending to apply for a JASSO scholarship?"). Only applicants who check "Yes" will be considered for scholarship nomination. **If Shinshu University Exchange Student Program is selected by JASSO as a student exchange support program**, Shinshu University will inform the selected students of their nomination through their home universities by the following dates.

Autumn semester applicants (arriving in Japan in late September): Late June

Spring semester applicants (arriving in Japan in early April): Early March